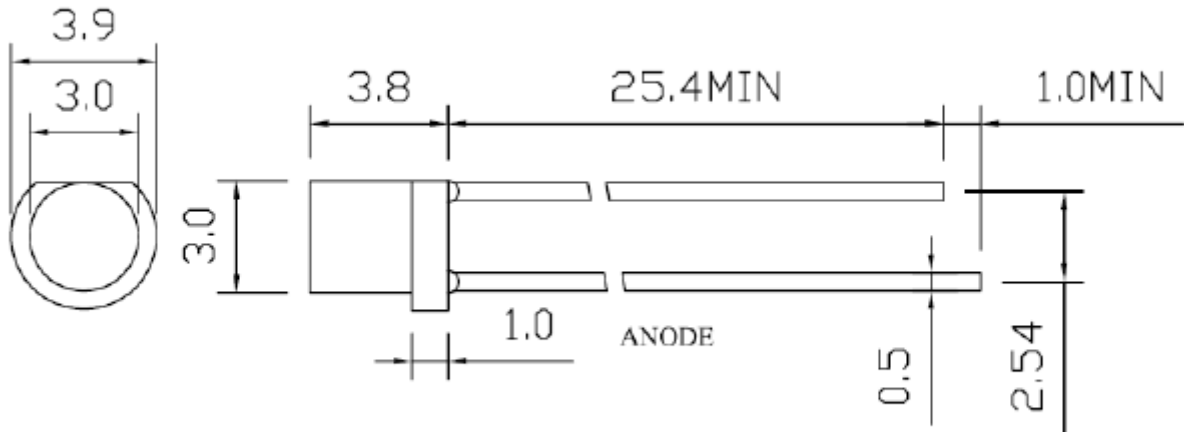


3mm wide angle orange led



3mm wide angle orange led size is 3.0x3.8mm, this is flat top led

Remarks: The led brightness, emitting color, lens color, lumen, viewing angle can be designed according to customer's needs.

Notes:

1. Reflow soldering should not be done more than 2 times.
2. When soldering, do not put stress on the LEDs during heating.

3mm flat top led full colors

Full Colors



Applications:

The display screen of indoor and outdoor
Architectural decorative lighting
Backlighting for signage letters
Portable equipment
Monitors
Traffic lights
Automotive lights
Mood lighting, LED modules

Hope to receive your inquiry about our products 3mm wide angle orange led or our factory!

WELCOME TO CONTACT US>>>>WWW.ZHIDINGLED.COM



Oversea Sales Manager
Elsa Xiao
E-mail:sales@zhidingled.com
Skype: elsa.xiao0418
Mobile: 86-13412570091
WhatsApp: 86-13412570091
Tel: 86-769-22665151
Fax:86-769-22665155